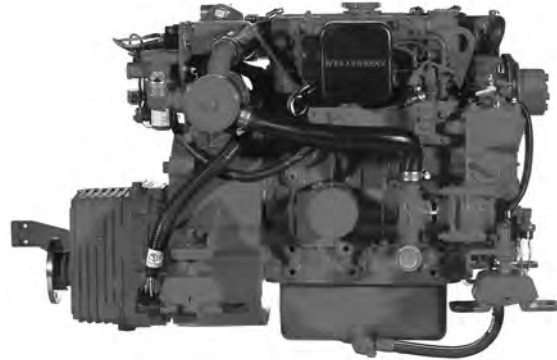




Three-cylinder, four-cycle smoothness...



30C Three Marine Diesel Engine



30C Three Marine Diesel Engine

Lightweight and Compact

Designed by Westerbeke, pioneers in lightweight marine diesel engines, the 30C Three is a compact three-cylinder engine perfect for difficult installations. Weighing in at only 274 pounds (124.3 kilos), the 30C Three provides a power to weight ratio to be envied while requiring modest engine room space.

Powerful and Reliable

The 30C Three is specially engineered to operate in a hostile marine environment. It is designed and built using experience gained in supplying over 1,100 whaleboat engines to the United States Navy. The greater piston bore of the 30C Three delivers more power without sacrificing smooth and quiet operation.

Easy Operation and Maintenance

To minimize engine maintenance, the 30C Three is fresh water cooled and equipped with a simple control system. Easy access to all servicing points and a self-bleeding fuel system allow easy installation and routine maintenance.

Full Engine Instrumentation Option

Westerbeke offers an optional admiral panel. The admiral panel includes, tachometer, hour meter, voltmeter, water temperature and oil pressure gauge. Westerbeke also offers an optional captain panel with tachometer, hour meter, and warning lights.

The Name You Can Trust

The presence of Westerbeke in over 65 countries around the world provides customers with easy access to parts, service and technical support worldwide. Established in 1937, Westerbeke is committed to providing its customers with quality products and unequalled after sales support.

Standard Features

- Fresh water cooling
- Engine pre-wired to plug-in connector
- Self-bleeding fuel system
- 12 volt 50 ampere alternator
- Flow control domestic hot water connections
- Coolant recovery tank
- Throttle, stop, and shift control brackets
- Low oil pressure and high water temperature alarms
- Gear driven raw water pump
- Mechanical gear with 2.5:1 reduction
- Glow plug cold starting aid
- Four point adjustable flex mounts
- Lube oil drain hose
- Tuned air intake silencer
- Operators' manual and parts list
- 5-year limited warranty

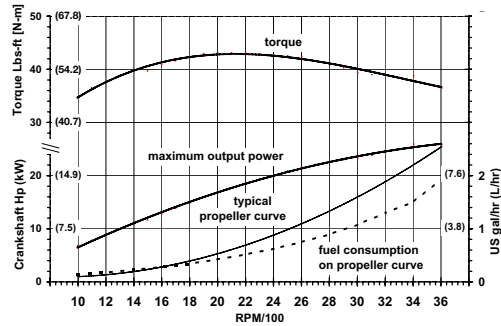


Optional Admiral Panel

Admiral Panel Dimensions

Length	9.75" (247.7 mm)
Depth	4.0" (101.6 mm)
Height	6.0" (152.4 mm)

Maximum Output at Crankshaft = 25 HP (18.7 kW) at 3600 rpm



Westerbeke recommends a propeller that will allow the engine to turn 3600 rpm underway at full throttle. Output is according to ISO 8665/3046. Fuel density 0.840 kg/L at 15 °C. Output includes +/- 5% tolerance.

Specifications

Number of cylinders	3 Cylinder vertical in-line
Cycles	4 Cycle
Displacement	58.09 cu. in. (.95 liter)
Bore and stroke	2.99" x 2.76" (76 mm x 70 mm)
Compression ratio	23:1
Maximum angle of installation	Not to exceed 14°
Maximum angle of operation	Not to exceed 25°
Crankshaft, direction of rotation	Counterclockwise as viewed from flywheel end
Propeller shaft, direction of rotation	Right hand – std. trans.
Dry weight	274 lbs (124.3 kilos)
Combustion system	Swirl type
Aspiration	Naturally aspirated
Lubrication system	Forced lubrication by gear pump
Cooling system	4 quarts (3.8 liters)
Starting aid	12 volt sheathed type glow plug
Engine stop	Manual type
Fuel injection pump	Bosch type
Governor	Centrifugal type
Injectors	Throttle type
Fuel filter	Secondary, replaceable type
Lube oil filter	Full flow, spin-on element
Lubricant capacity	0.95 U.S. gallons (3.6 liters)
Fuel transfer pump	Electric
Fuel supply and return piping	1/4" ID (6.35 mm) minimum 3/8" ID (9.53 mm) maximum
Starting motor	12 volt, solenoid, actuated shift
Battery charging alternator	50 ampere (12 volts)
Cold cranking amps	190 amps
Alternator/regulator	Automatic, solid state built-in
Electrical system	12 volts DC, negative ground

Construction – Engine Components

Cylinder head	Cast Iron
Cylinder block	Cast Iron
Crankshaft	Forged crankshaft, four main bearings
Valves	Overhead valves, rotating type
Fuel System	Self bleeding
Intake system	Tuned intake silencer for maximum noise reduction
Cooling system	Fresh water-cooled with tube and shell type heat exchanger
Exhaust manifold	Cast aluminum, fresh water-cooled with built-in expansion tank

Standard Equipment

Standard gear ratio	2.5:1
Mounting centers	14.56", 16.0"
Flexible mounts	Adjustable fail safe rubber type
Flow control domestic hot water connection	
Coolant recovery tank	
Battery charging alternator	50 amp
Starting aide	
Control brackets	For all control attachments
Prewired Engine	
Gear-driven sea water pump	
Lube oil cooler in fresh water system	
Lube oil drain hose	
Gear oil cooler	
Oil fill	Top and service side
Circuit breaker protected electrical system	
Operator's Manual and Parts List	

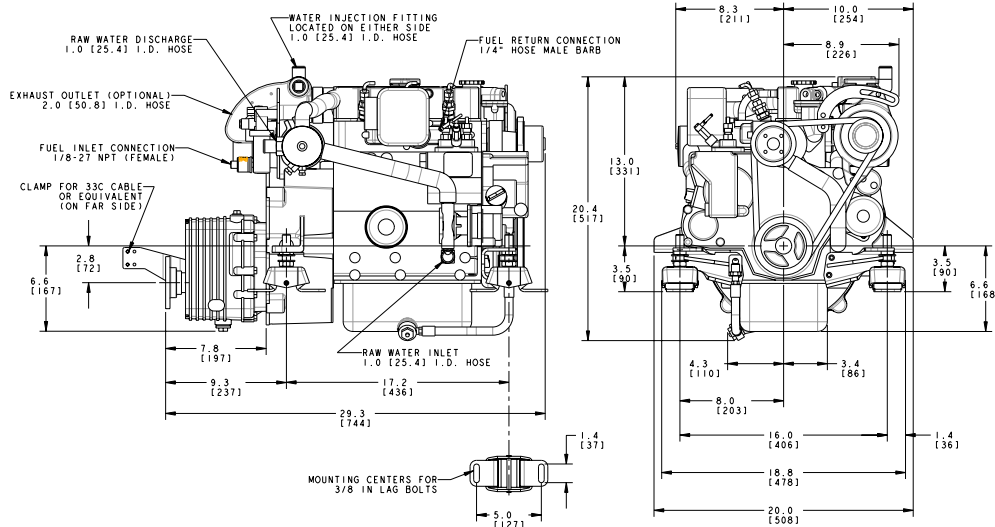
Optional Equipment

Captain panel with alarm (tachometer with lights)	
Admiral panel with alarms (tachometer with gauges)	
Dual station senders	
Other gear ratios	Consult local Distributor

Remote expansion tank	
Fuel/water separator	
Muffler and fittings	
"A" on board spare parts kits	
"B" extended cruising spare parts kits	
Anti-siphon valve for overboard cooling discharge water	
Technical Manual	
Exhaust connection (water injected 90°, 45° elbows & riser)	
Propeller shaft couplings (rigid/flexible) – available standard sizes	

Dimensions

Inches (millimeters)



Authorized Dealer



ENERNAVAL IBÉRICA, S.L.
info@enernaval.es
http://www.enernaval.es
93.759.82.95