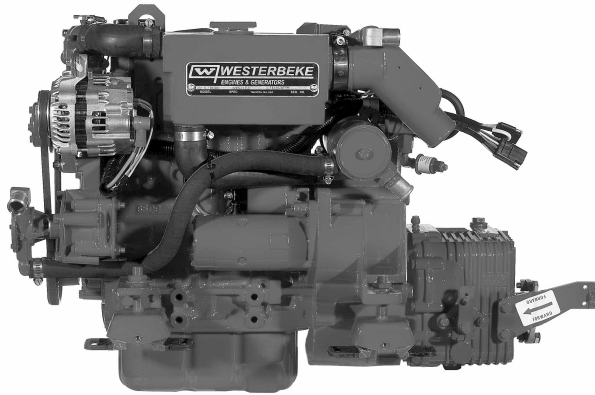
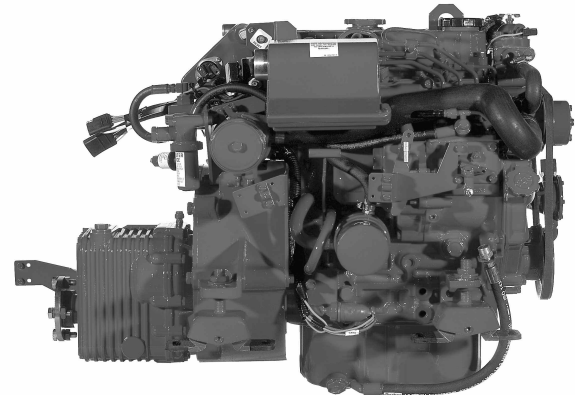


Long lasting 3000-rpm performance...



35E Three Marine Diesel Engine



35E Three Marine Diesel Engine

Lightweight and Compact

Designed by Westerbeke, pioneers in lightweight marine diesel engines, the 35E Three is a compact three-cylinder engine perfect for difficult installations. The 35E Three provides a power to weight ratio to be envied while requiring modest engine room space.

Powerful, Reliable and Quiet

The 35E Three is rated at a low 3000-rpm for longer engine life. It is designed and built using experience gained in supplying over 1,100 whaleboat engines to the United States Navy. The 80.43 cubic inch displacement of the 35E Three delivers reliable power without sacrificing smooth and quiet operation. For enhanced quiet performance, this engine also has tuned air intake silencer.

Easy Operation and Maintenance

To minimize engine maintenance, the 35E Three is fresh water cooled and equipped with a simple control system. Easy access to all servicing points and a self-bleeding fuel system allow easy installation and routine maintenance.

Full Engine Instrumentation Option

Westerbeke offers an optional admiral panel. The admiral panel includes, tachometer, hour meter, voltmeter, water temperature and oil pressure gauge. Westerbeke also offers an optional captain panel with tachometer, hour meter, and warning lights.

The Name You Can Trust

The presence of Westerbeke in over 65 countries around the world provides customers with easy access to parts, service and technical support worldwide. Established in 1937, Westerbeke is committed to providing its customers with quality products and unequalled after sales support.

Standard Features

- Fresh water cooling
- Engine pre-wired to plug-in connector
- Self-bleeding fuel system
- 12 volt 50 ampere alternator
- Flow control domestic hot water connections
- Coolant recovery tank
- Throttle, stop, and shift control brackets
- Low oil pressure and high water temperature alarms
- Gear driven raw water pump
- Short profile marine gear with 2.0:1 reduction
- Glow plug cold starting aid
- Four point adjustable flex mounts
- Lube oil drain hose
- Tuned air intake silencer with filter
- Operators' manual and parts list



Optional Admiral Panel

Admiral Panel Dimensions

Length	9.75" (247.7 mm)
Depth	4.0" (101.6 mm)
Height	6.0" (152.4 mm)

