



DNH^{AS}

**N-3770 Kragerø
NORWAY**
 Phone: (47) 35 98 56 00
 Fax: (47) 35 98 56 10
 E-mail: dnh@dnh.no
 Web-site: www.dnh.no

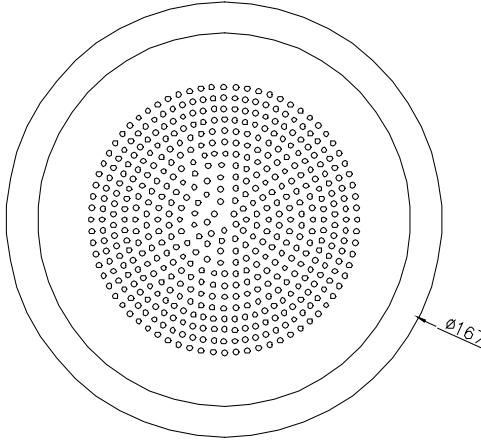
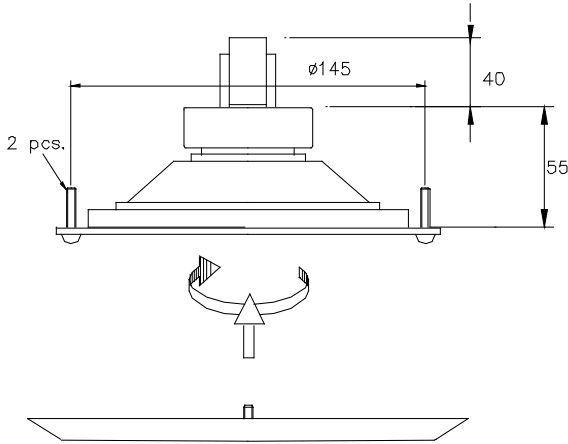
**DNH WW Ltd.
England**
 Phone:.....(44) 1908 275 000
 Fax:.....(44) 1908 275 100
 E-mail:.....dnh@dnh.co.uk

**DNH GmbH
Germany**
 Phone:.....(49) 040 6569 30-0
 Fax:.....(49) 040 6569 30-30
 E-mail:.....dnh@dnh.de

**DNH
Speakers Inc.
USA**
 Phone:.....(1) 484 494 5790
 Fax:.....(1) 484 494 5793
 E-mail:.....dnh@dnhspeakers.com

BS-560(T)

ISO 9001 CERTIFIED

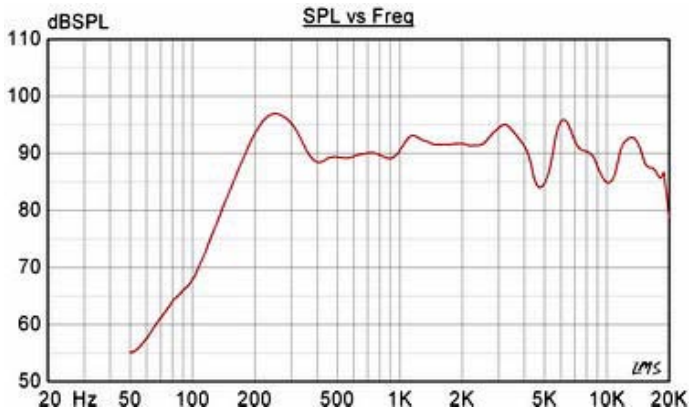


Transformer:
 Combined
 70/100Volt line
 White : Red 100 V
 White : Green 70 V

Secondary nominal
 tapings:
 C : 6 6,0 W
 C : 3 3,0 W
 C : 1,5 1,5 W
 C : 0,5 0.5 W

Sound pressure levels at different frequencies at
 1W/1m 1/3 octave pink noise.

Rec. ceiling hole: \varnothing 132 mm



Material / Color Aluminium / RAL9010
 Mounting 2 screws
 Termination Spring clamps
 Weight 0,9 kg
 IP-rating.....
 Max. / min. amb. temp 90°C / -20°C
 Rated / max. power 6 W / 15 W
 SPL 1W/1m 90 dB
 SPL rated power 97 dB
 Effective freq. range 130 – 20000 Hz
 Dispersion (-6dB) 1kHz / 4kHz 170° / 60°
 Directivity factor, Q.....
 Options..... Impedance, color, label

Installation, Operation and Maintenance Procedures

- When mounting the loudspeaker please ensure that it is re-assembled in the same manner in which it was received.
- Connect to terminal. Install loudspeaker to wall / ceiling by means of 2 screws. Screw loudspeaker grill into fixed position.
- For optimum performance, always use the correct voltage / power and operate within the frequency limits as stated.
- Take care when loudspeaker is energized (100 V).
- This loudspeaker is supplied with a 2 year warranty against defective workmanship.