



DNH^{AS}

N-3770 Kragerø
NORWAY
 Phone: (47) 35 98 56 00
 Fax: (47) 35 98 56 10
 E-mail: dnh@dnh.no
 Web-site: www.dnh.no

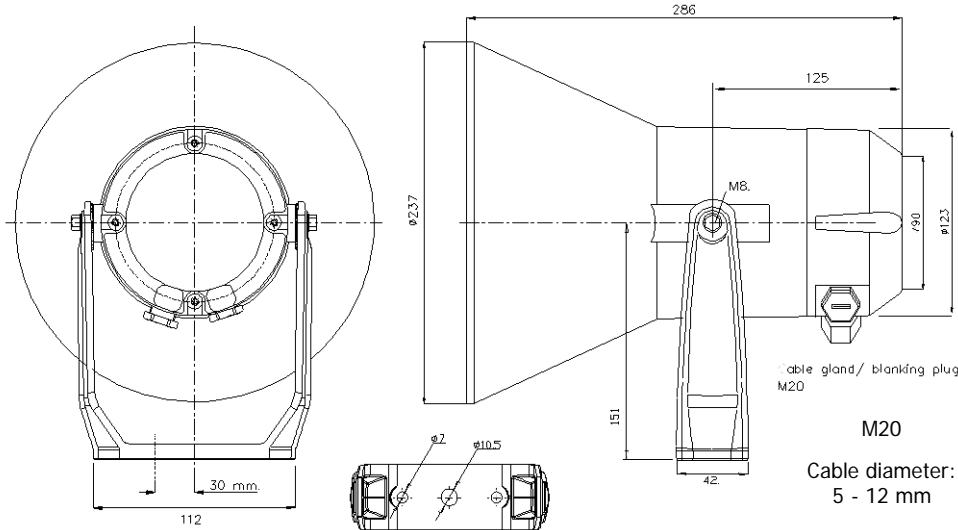
DNH WW Ltd. Phone:.....(44) 1908 275 000
England Fax:.....(44) 1908 275 100
 E-mail:.....dnh@dnh.co.uk

DNH GmbH Phone:.....(49) 040 6569 30-0
Germany Fax:.....(49) 040 6569 30-30
 E-mail:.....dnh@dnh.de

DNH Speakers Inc. Phone:.....(1) 484 494 5790
USA Fax:.....(1) 484 494 5793
 E-mail:.....dnh@dnhspeakers.com

ISO 9001 CERTIFIED

HP-30(T)



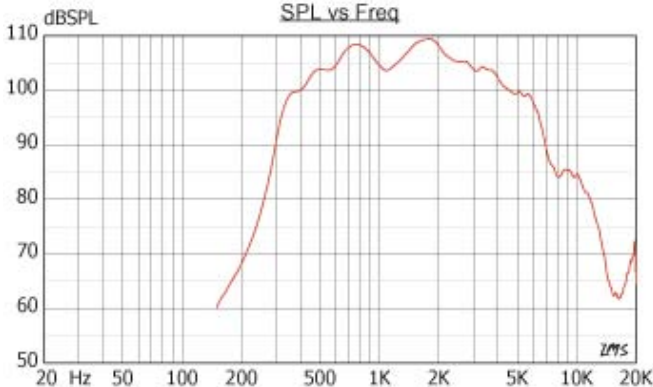
50/70/100 volt
 Combined Transformer:

Primary connections:
 6 : 7 50 Volt line
 6 : 8 70 Volt line
 6 : 9 100 Volt line

Secondary nominal
 tapings:
 1 : 4 30,0 W
 1 : 3 15,0 W
 2 : 4 10,0 W
 1 : 2 7,5 W
 3 : 4 3,5 W
 2 : 3 2,0 W

6 = White, 8= Green,
 9 = Red

1W/1m sine wave smooth 1/3 octave



Material / Colour Polyamide / RAL 7035
 Mounting Bracket
 Termination Internal screw connections
 Weight 2,5 kg
 IP-rating 67
 Max. / min. amb. temp 150 °C / -50 °C
 Rated / max. power 30 W / 40 W
 SPL 1W/1m 110 dB
 SPL rated power 124 dB
 Effective freq. range 310 – 8000 Hz
 Dispersion (-6dB) 1kHz / 4kHz 115° / 30°
 Directivity factor, Q (2kHz) 9,3
 Options Impedances, colors, labels

Installation, Operation and Maintenance Procedures

- When mounting the loudspeaker please ensure that it is re-assembled in the same manner in which it was received. Fasten bracket with 1-3 screws.
- To change the position of the loudspeaker please adjust the bracket (by loosening / tightening the screws) as required.
- For optimum performance, always use the correct voltage / power and operate within the frequency limits as stated.
- Do not open loudspeaker when energized.
- Fasten lid with a torque of 2 - 3 Nm.
- This loudspeaker is supplied with a 2 year warranty against defective workmanship.