



DNH^{AS}

**N-3770 Kragerø
NORWAY**
 Phone: (47) 35 98 56 00
 Fax: (47) 35 98 56 10
 E-mail: dnh@dnh.no
 Web-site: www.dnh.no

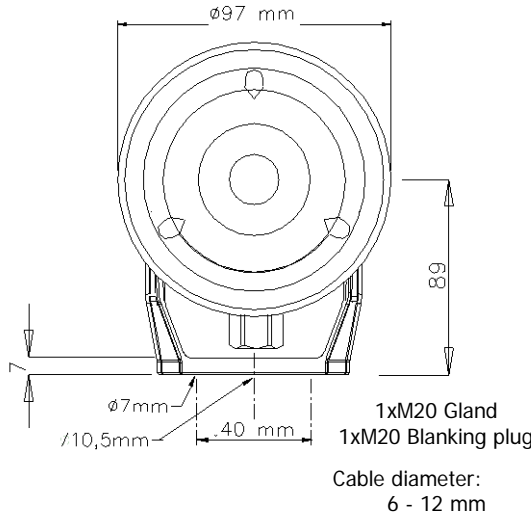
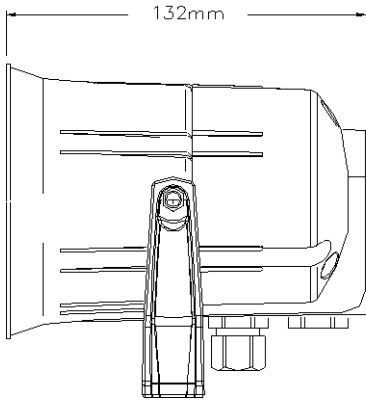
**DNH WW Ltd.
England**
 Phone:.....(44) 1908 275 000
 Fax:.....(44) 1908 275 100
 E-mail:.....dnh@dnh.co.uk

**DNH GmbH
Germany**
 Phone:.....(49) 040 6569 30-0
 Fax:.....(49) 040 6569 30-30
 E-mail:.....dnh@dnh.de

**DNH
Speakers Inc.
USA**
 Phone:.....(1) 484 494 5790
 Fax:.....(1) 484 494 5793
 E-mail:.....dnh@dnhspeakers.com

ISO 9001 CERTIFIED

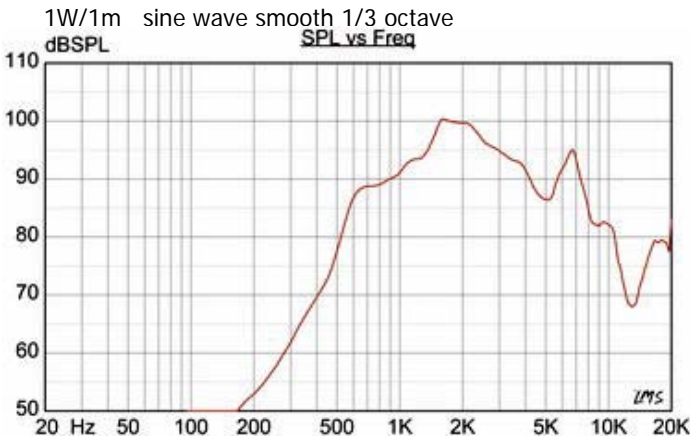
HP-6 C(T)



Transformer : Combined
 70 / 100 Volt line
 (White) : (Green) 70V
 (White) : (Red) 100V

Secondary nominal tapings:
 C : 6 6W
 C : 3 3W
 C : 1,5 1,5W
 C : 0,5 0,5 W

All outside nuts and screws in stainless steel.



Material / Color Polyamide UL94 V0 / RAL 7035
 Mounting Bracket
 Termination Inside screw terminal
 Weight w/ transformer 0,83 kg
 IP-rating (UL equivalent) 67
 Max / min amb temp 110 °C / -40 °C
 Rated / max power 6 W / 15 W
 SPL 1W/1m 100 dB
 SPL rated power 107 dB
 Effective freq range 500 – 7500 Hz
 Dispersion (-6dB) 1kHz / 4kHz 170° / 70°
 Options Impedances, colors, labels

Installation, Operation and Maintenance Procedures

- Remove lid to connect to terminal
- Fasten bracket with 2 screws.
- To change the position of the loudspeaker, please adjust the bracket (by loosening / tightening the screws) as required.
- For optimum performance, always use the correct voltage / power and operate within the frequency limits as stated.
- Fasten lid with a torque of 1 - 2 Nm
- This loudspeaker is supplied with a 2 year warranty against defective materials and workmanship.