



# DNH<sup>AS</sup>

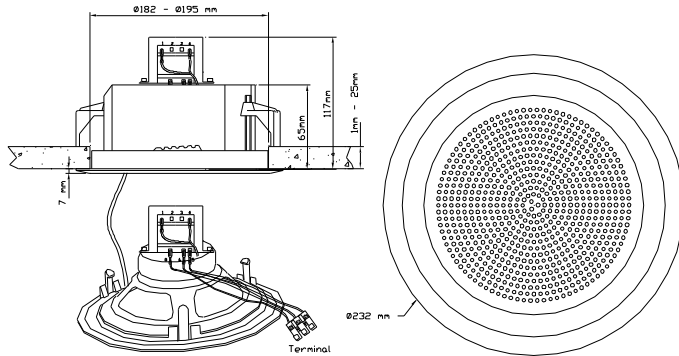
**N-3770 Kragerø  
NORWAY**  
 Phone: ..... (47) 35 98 56 00  
 Fax: ..... (47) 35 98 56 10  
 E-mail: ..... dnh@dnh.no  
 Web-site: ..... **www.dnh.no**

**DNH WW Ltd.  
England**  
 Phone:.....(44) 1908 275 000  
 Fax:.....(44) 1908 275 100  
 E-mail:.....dnh@dnh.co.uk

**DNH GmbH  
Germany**  
 Phone:.....(49) 040 6569 30-0  
 Fax:.....(49) 040 6569 30-30  
 E-mail:.....dnh@dnh.de

**DNH  
Speakers Inc.  
USA**  
 Phone:.....(1) 484 494 5790  
 Fax:.....(1) 484 494 5793  
 E-mail:.....dnh@dnhspeakers.com

ISO 9001 CERTIFIED

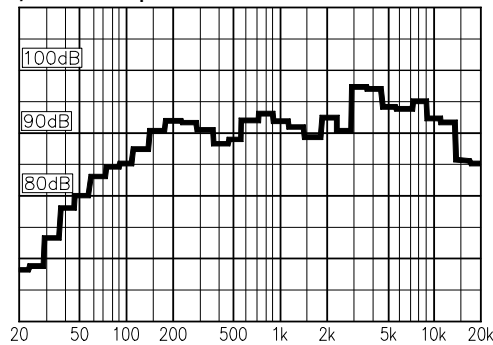


Transformer:  
 Combined  
 70 / 100 Volt line  
 6(White) : 8(Green) 70V  
 6(White) : 9(Red) 100V

Secondary nominal  
 tappings:  
 1 : 4 30,0W  
 1 : 3 15,0W  
 2 : 4 10,0W  
 1 : 2 7,5W  
 3 : 4 3,5 W  
 2 : 3 2,0 W

Rec. ceiling hole:  $\varnothing$ 182 -  $\varnothing$ 187 mm

Sound pressure levels at different frequencies at 1W/1m  
1/3 octave pink noise.



Material / Color ..... ABS grille, Polystyrene box / White  
 Mounting ..... 3 screws  
 Termination ..... Spring clamps  
 Weight ..... 1,7 kg  
 IP-rating .....  
 Max. / min. amb. temp ..... 90°C / -20°C  
 Standard version ..... 50 / 100 V transformer  
 Rated / max. power ..... 30 W / 50 W  
 SPL 1W/1m ..... 90 dB  
 SPL rated power ..... 104 dB  
 Effective freq. range ..... 60 – 20000 Hz  
 Dispersion (-6dB) 1kHz / 4kHz ..... 130° / 50°  
 Directivity factor, Q .....  
 Options ..... Impedance, color, label

## Installation, Operation and Maintenance Procedures

- When mounting the loudspeaker please ensure that it is re-assembled in the same manner in which it was received.
- Install box by turning 3 screws clockwise and the 3 hooks will keep loudspeaker in position. Connect cable to terminal and screw loudspeaker grille clockwise into fixed position.
- For optimum performance, always use the correct voltage / power and operate within the frequency limits as stated.
- Do not open loudspeaker when energized.
- This loudspeaker is supplied with a 2 year warranty against defective workmanship.

